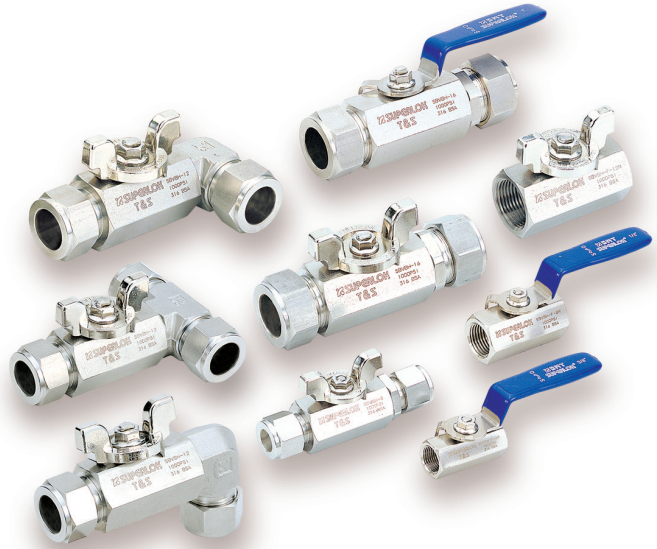


SBV210 Ball Valves

Two-piece Type

Features

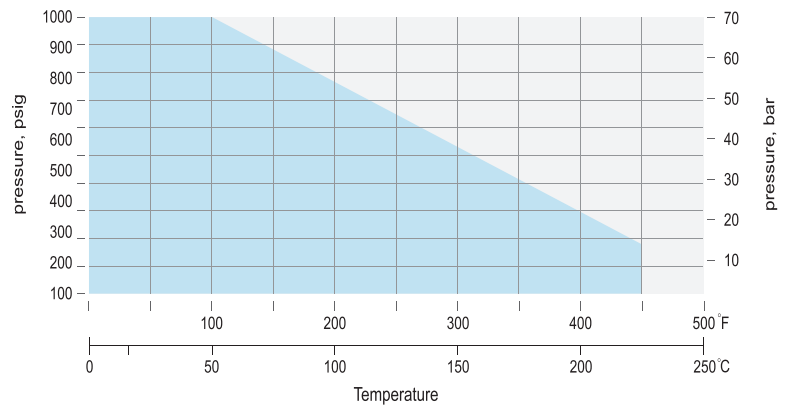
- Compact design
- Tight and smooth, low torque and easy operation
- Butterfly and lever handle available
- Variety of End Connections
- Each and every valve is tested at the factory



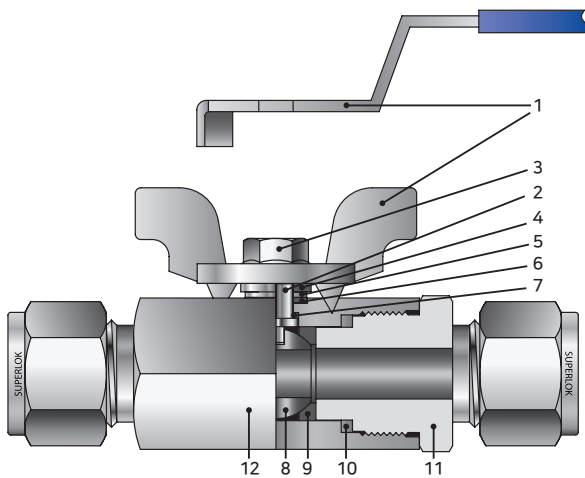
Specifications

- Pressure rating : 1000psig (69bar)@70°F (21°C)
- Body material : 316 stainless steel and Brass
- Port Connections : 1/4 to 1 in. and 6 to 16mm
- Orifice : 5.0 to 16.0mm

Pressure-Temperature Ratings



Materials of Construction



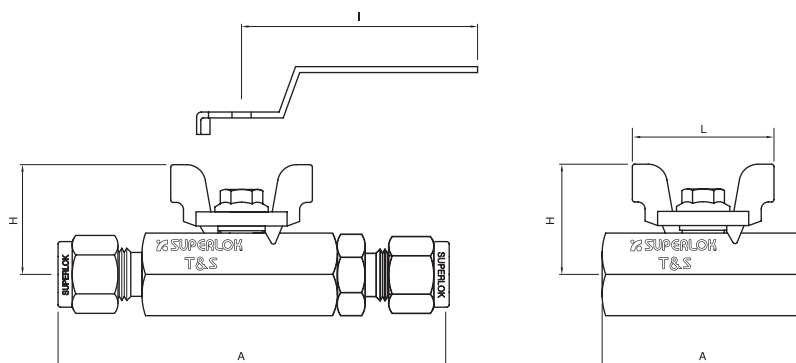
No.	Component	Material Grade / ASTM Specification	
		Stainless Steel	Brass
1	Handle	SS304 Lever handle with PVC color coated Zinc butterfly handle with nickel plated	
2*	Stem	SS316 / A276	
3	Lock Nut	Stainless Steel	
4	Upper Stem Washer	SS304 / A276	
5	Lower Stem Washer		
6	Upper Stem Seal	PTFE	
7	Lower Stem Seal		
*8	Ball	SS316 / A276	
*9	Seat	PTFE	
10	Connector Seal		
*11	End Connector	SS316 / A276	Brass / B16
	Insert(for Female Thread)	SS316 / A276	
*12	Body	SS316 / A276	Brass / B16

* Wetted components

- Components can limit the pressure and temperature ranges of the valve. Please consult BMT (SUPERLOK) sales representative for your specific application.

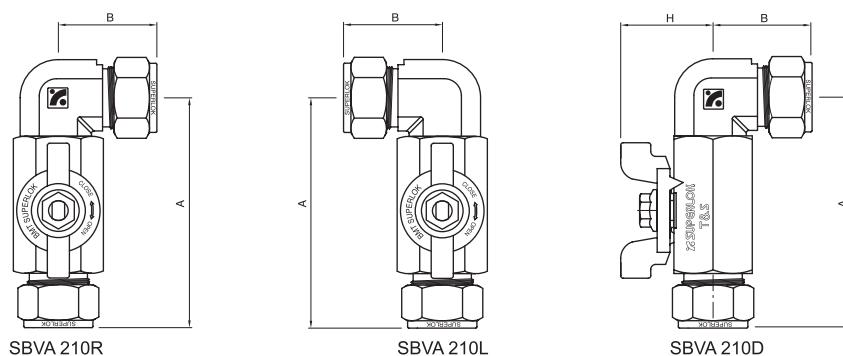
Table of Dimensions

SBV210 Series



Part No.	Orifice	Cv	End Connections	Dimensions				
				A	H	I	L	
SBV210	S6M	5.0	1.25	6mm SUPERLOK	79.8	23.0	60.0	30.0
	S4		1.25	1/4" SUPERLOK	79.8			
	F4N		1.4	1/4" FEMALE NPT	42.8			
	S10M	7.5	2.6	10mm SUPERLOK	91.5	31.0	90.0	48.0
	S6		2.5	3/8" SUPERLOK	91.5			
	F6N		2.6	3/8" FEMALE NPT	46.6			
	S12M	9.0	9.5	12mm SUPERLOK	101.4	34.0	90.0	50.0
	S8		9.5	1/2" SUPERLOK	101.4			
	F8N		9.5	1/2" FEMALE NPT	55.0			
	S16M	12.5	10.6	16mm SUPERLOK	107.6	39.0	100.0	55.0
	S10		10.6	5/8" SUPERLOK	107.0			
	S12		12.7	3/4" SUPERLOK	107.0			
	F12N		12.7	3/4" FEMALE NPT	61.3			
	S16		17.5	1" SUPERLOK	131.0			
F16N	17.5	1" FEMALE NPT	76.0	45.0	100.0	68.0		

SBVA210 Series

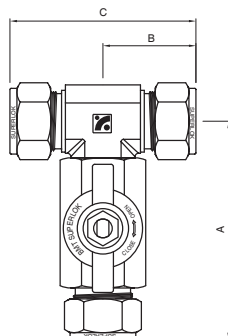


Part No.	Orifice	End Connections	Dimensions			
			A	B	H	
SBVA210	S4	5.0	1/4" SUPERLOK	65.3	30.5	23.0
	S6	7.5	3/8" SUPERLOK	77.5	36.1	31.0
	S8	9.0	1/2" SUPERLOK	87.9	38.1	34.0
	S12	12.5	3/4" SUPERLOK	93.8	39.9	39.0
	S16	16.0	1" SUPERLOK	115.3	49.0	45.0

- Dimensions and Drawings are for reference only and are subject to change without prior notice.
- Unless otherwise specified, all dimensions are in millimeters.
- Sizes, pressure classes, and end connections not listed are available upon request.
- Dimensions shown with SUPERLOK nuts finger-tight, where applicable.

Table of Dimensions

SBVT210 Series



Part No.	Orifice	End Connections	Dimensions			
			A	B	C	
SBVT210	S4	5.0	1/4" SUPERLOK	65.3	30.5	61.0
	S6	7.5	3/8" SUPERLOK	77.5	36.1	72.2
	S8	9.0	1/2" SUPERLOK	87.9	38.1	76.2
	S12	12.5	3/4" SUPERLOK	93.8	39.9	79.8
	S16	16.0	1" SUPERLOK	115.3	49.0	98.0

- Dimensions and Drawings are for reference only and are subject to change without prior notice.

- Unless otherwise specified, all dimensions are in millimeters.

- Sizes, pressure classes, and end connections not listed are available upon request.

- Dimensions shown with SUPERLOK nuts finger-tight, where applicable.

Ordering Information

Example : **SBV210 - S 8 - BH - B**

1
2
3
4
5

1. Valve Series

- SBV210
- SBVA210
- SBVT210

2. End Connection

- S = SUPERLOK Tube Fitting
- F = Female Thread

3. End Connection Size

Tube O.D Designator

Tube O.D (inch)	1/4	3/8	1/2	3/4	1
Designator	4	6	8	12	16
Tube O.D (mm)	6	10	12	16	
Designator	6M	10M	12M	16M	

Pipe Thread Designator

Size(inch)	1/4	3/8	1/2	3/4	1
Screwed NPT	4N	6N	8N	12N	16N
Screwed BSPT	4R	6R	8R	12R	12R

4. Handle

- (Blank) = Butterfly Handle (Standard)
- BH = Bar Handle

5. Body Material

- (Blank) = 316 Stainless Steel
- B = BRASS

※ For special sizes and configurations, please consult BMT (SUPERLOK) sales representative.

**KENMORE
CONTROLS**
FLUID CONTROL PRODUCTS

 **BMT**



Kenmore Controls
8 Industrial Way, Suite 5D
Salem, NH 03079
Phone: 603-458-1541
E-mail: sales@kenmorecontrols.com



www.kenmorecontrols.com