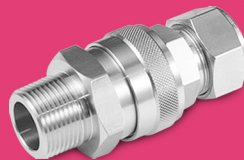


Quick Connectors

- SQC Series
- SFQC Series



Instrumentation Quick Connectors

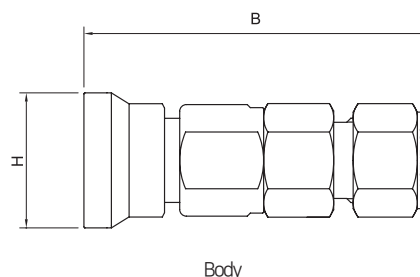
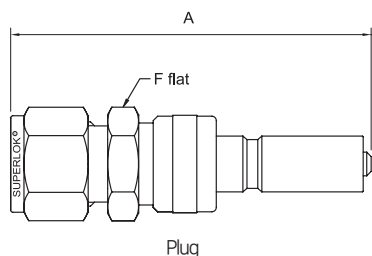
SQC Series

Features

- Simple push-pull action to connect and disconnect lines-no tools required.
- Plug and body are available valved or unvalved. Valves automatically open when connected and shut off when disconnected to minimize the loss of liquids or gases.



Table of Dimensions



Plug

* Part No.	Cv	End Connection		A		F		
		SO	DO	SO	DO			
SQC1P -SO	SQC1P -DO	S2	0.08	0.08	1/8" Superlok	70.4	15.9	
		S4	0.4	0.2	1/4" Superlok	61.5		
		S6M			6mm Superlok	19.1		
		M2N			1/8" Male NPT			54.1
		M4N(R)			1/4" Male NPT(PT)			57.9
		F2N			1/8" Female NPT			52.6
		F4N(R)			1/4" Female NPT(PT)			58.9
SQC2P -SO	SQC2P -DO	S6			1.5	0.5	3/8" Superlok	67.1
		S10M	1.6	0.5	10mm Superlok	70.4		
		M4N			1/4" Male NPT	61.9		
		M6N(R)			3/8" Male NPT(PT)	62.7		
		F4N			1/4" Female NPT			
		F6N(R)			3/8" Female NPT(PT)			
F8N(R)	1/2" Female NPT(PT)	22.2						
SQC3P -SO	SQC3P -DO	S8	3.3	1.5	1/2" Superlok	80.3	23.8	
		S12M	3.1	1.3	12mm Superlok	77.2		
		M8N(R)			1/2" Male NPT(PT)			
		F8N(R)			1/2" Female NPT(PT)			76.7

Body

Part No.	End Connection		B	H	
	Type				
SQC1B	S2	1/8" Superlok	57.4	23.1	
	S4	1/4" Superlok	58.4		
	S6M	6mm Superlok			
	M2N	1/8" Male NPT	51.1		
	M4N(R)	1/4" Male NPT(PT)	56.9		
	F2N	1/8" Female NPT			
	F4N(R)	1/4" Female NPT(PT)			
SQC2B	S6	3/8" Superlok	65.5	26.2	
	S10M	10mm Superlok	68.1		
	M4N	1/4" Male NPT	60.5		
	M6N(R)	3/8" Male NPT(PT)			
	F4N	1/4" Female NPT			
	F6N(R)	3/8" Female NPT(PT)			65.3
SQC3B	S8	1/2" Superlok	78.5	30.7	
	S12M	12mm Superlok	75.4		
	M8N(R)	1/2" Male NPT(PT)			
	F8N(R)	1/2" Female NPT(PT)			81.8

* SO : Single shutoff type, DO : Double shutoff type

- Dimensions and Drawings are for reference only and are subject to change without prior notice.
- Unless otherwise specified, all dimensions are in millimeters.
- Sizes, pressure classes, and end connections not listed are available upon request.

Materials of Construction

Component	Material
*Body	SS316/A276
*Housing	
*Double shut off stem	
*Double shut off stem retainer	
*Body valve	
*Body insert	
*Single shut off stem retainer	
*O-ring	Viton
*Spring	SS304
Body sleeve	SS316/A276
Plug sleeve	
Locking Balls	

* Wetted components

Pressure-Temperature Ratings

Temperature °F (°C)	SQC 1	SQC 2	SQC 3
	Pressure Rating, coupled, psig (bar)		
70 (20)	3000 (206)	1500 (103)	750 (51.6)
400 (204)	250 (17.2)		

• Rating based on 316 stainless steel material with Fluorocarbon FKM O-ring

Maximum Flow Rate Water at 70°F (20°C)

Series	SQC 1	SQC 2	SQC 3
U.S gal/min	4	6	10
L/min	15	22	37

Insertion Depth

Series	Depth, in.(mm)	
	SO	DO
SQC 1	1.09(27.7)	1.15(29.2)
SQC 2	1.18(30.0)	1.30(33.0)
SQC 3	1.48(37.6)	1.68(42.7)

Overall Length

To calculate overall length in the coupled position, subtract the insertion depth from any overall plug and body combination length.

Spillage

Spillage is the amount of system fluid that escapes when a quick-connect is uncoupled (double shut off only)

Series	Spillage
SQC 1	0.3 cm ³
SQC 2	1.0 cm ³
SQC 3	3.0 cm ³

Option

BODY & PLUG PROTECTOR

Body & Plug Protectors guard against damage and contaminants when body and plug are uncoupled.

Series	Ordering Number	
	Body Protector	Plug Protector
SQC 1	SQC1 - BP	SQC1 - PP
SQC 2	SQC2 - BP	SQC2 - PP
SQC 3	SQC3 - BP	SQC3 - PP

Ordering Information

Example :	SQC2P	-	S	6	-	DO	-	B
	<u>1</u>		<u>2</u>	<u>3</u>		<u>4</u>		<u>5</u>

1. Product Series

Body

- SQC1B
- SQC2B
- SQC3B

Plug

- SQC1P
- SQC2P
- SQC3P

2. End Connection

- S = SUPERLOK Tube Fitting
- F = Female Thread
- M = Male Thread

3. End Connection Size

Tube O.D Designator

Tube O.D (inch)	1/4	3/8	1/2
Designator	4	6	8
Tube O.D (mm)	6	10	12
Designator	6M	10M	12M

Pipe Thread Designator

Size (inch)	1/8	1/4	3/8	1/2
Screwed BSPT	2R	4R	6R	8R
Screwed NPT	2N	4N	6N	8N

4. Plug Type

- SO = Single Shutoff Type
- DO = Double Shutoff Type

5. Body Material

- (Blank) = 316 Stainless Steel
- B = Brass

Full Flow Quick Connectors

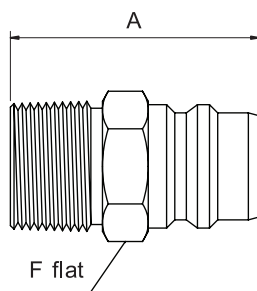
SFQC Series

Features

- Proven ball - lock mechanism provides positive connection.
- Simple push - pull action to connect and disconnect lines - no tools required.
- Compact coupling offers full without orifice restrictions.
- O-ring is easily replaced without disassembling body.



Table of Dimensions



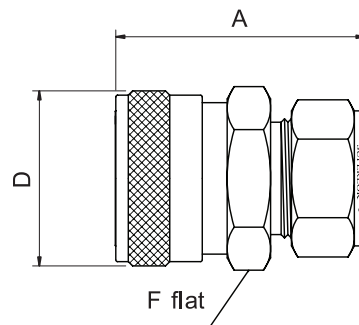
Plug

Part No.	End Connection		Cv	Min Orifice	A	F	
	Type						
SFQC2P	S4	1/4" Superlok	2.2	4.8	45.0	14.3	
	S6	3/8" Superlok	2.8			17.5	
	M4N(R)	1/4" Male NPT	1.7	6.1	40.4	14.3	
	M6N(R)	3/8" Male NPT(PT)				17.5	
	M4G	1/4" Male PF			40.6	19.1	
	F4N(R)	1/4" Female NPT(PT)			42.4	22.2	
	F6N(R)	3/8" Female NPT(PT)					
	F4G	1/4" Female PF					40.6
SFQC3P	S6	3/8" Superlok			2.9	7.1	47.8
	S8	1/2" Superlok	13.0	10.4	50.5		
	M6N(R)	3/8" Male NPT(PT)	7.1	10.4	41.9		
	M8N(R)	1/2" Male NPT(PT)	11.5	12.7	46.7		
	M8G	1/2" Male PF	11.5		46.2		
	F6N(R)	3/8" Female NPT(PT)	7.1	11.9	40.4	27.0	
	F8N(R)	1/2" Female NPT(PT)	11.5	12.7	46.2		
	F8G	1/2" Female PF	11.5				
SFQC4P	S12	3/4" Superlok	26.0	15.7	54.6	27.0	
	M12N(R)	3/4" Male NPT(PT)	23.6	18.3	51.6		
	F12N(R)	3/4" Female NPT(PT)			52.8		33.3
SFQC5P	S16	1" Superlok	45.0	22.4	62.2	34.9	
	M16N(R)	1" Male NPT(PT)	39.0		59.7		
	F16N(R)	1" Female NPT(PT)			63.2		41.3

- Dimensions and Drawings are for reference only and are subject to change without prior notice.

- Unless otherwise specified, all dimensions are in millimeters.

- Sizes, pressure classes, and end connections not listed are available upon request.



Body

Ordering Number		End Connection	Cv	A	D	F
Body Series		Type				
SFQC2B	S4	1/4" Superlok	8	45.7	22.2	17.5
	S6	3/8" Superlok	7.1	46.0		
	M4N(R)	1/4" Male NPT	6.4	40.0		
	M6N(R)	3/8" Male NPT(PT)	9.4	40.0		
	M4G	1/4" Male PF	6.1	45.7		19.1
	F4N(R)	1/4" Female NPT(PT)	9.7	38.1		22.2
	F6N(R)	3/8" Female NPT(PT)		41.4		22.2
	F4G	1/4" Female PF		38.1		19.1
SFQC3B	S6	3/8" Superlok		7.1	55.1	33.0
	S8	1/2" Superlok	11.9	56.6		
	M6N(R)	3/8" Male NPT(PT)	10.4	46.5		
	M8N(R)	1/2" Male NPT(PT)	12.7	52.8		
	M8G	1/2" Male PF	11.9	52.8		
	F6N(R)	3/8" Female NPT(PT)	15.0	43.9		
	F8N(R)	1/2" Female NPT(PT)	16.0			
	F8G	1/2" Female PF				
SFQC4B	S12	3/4" Superlok	15.7	62.2	42.6	38.1
	M12N(R)	3/4" Male NPT(PT)	18.3	59.2		
	F12N(R)	3/4" Female NPT(PT)	22.4	48.0		
SFQC5B	S16	1" Superlok	22.4	70.0	49.0	44.5
	M16N(R)	1" Male NPT(PT)		67.3		
	F16N(R)	1" Female NPT(PT)		53.8		

- Dimensions and Drawings are for reference only and are subject to change without prior notice.

- Unless otherwise specified, all dimensions are in millimeters.

- Sizes, pressure classes, and end connections not listed are available upon request.

Materials of Construction

Component	Material	
	316 SS	Brass
*Body	SS316/A276	Brass / B16
Sleeve	SS316/A276	Brass / B16
Locking ball	SS316/A276	Brass / B16
Spring	SS304	SS304
Sanp ring	SS304	SS304
*O - ring	Viton	NBR
*Plug	SS316/A276	Brass / B16

* Wetted components

Pressure-Temperature Ratings

Temperature °F (°C)	316 SS with Viton O - ring				Brass with NBR O - ring			
	SFQC 2	SFQC 3	SFQC 4	SFQC 5	SFQC 2	SFQC 3	SFQC 4	SFQC 5
	Pressure Rating, coupled, psig (bar)							
70 (20)	6000 (413)		4000 (275)		4000 (275)		2000 (137)	
250 (121)					100 (6.8)			
400 (204)	100 (6.8)							

Insertion Depth

Series	Depth, in (mm)
SFQC2	0.78 (19.8)
SFQC3	0.81 (20.6)
SFQC4	0.90 (23.0)
SFQC5	0.94 (23.9)

Option

BODY & PLUG PROTECTOR

Body & Plug Protectors guard against damage and contaminants when bodies and plug are uncoupled.

Series	Ordering Number	
	Body Protector	Plug Protector
SFQC 2	SFQC2 - BP	SFQC2 - PP
SFQC 3	SFQC3 - BP	SFQC3 - PP
SFQC 4	SFQC4 - BP	SFQC4 - PP
SFQC 5	SFQC5 - BP	SFQC5 - PP

- Components can limit the pressure and temperature ranges of the connector. Please consult BMT (SUPERLOK) sales representative for your specific application.

Ordering Information

Example :	SFQC4B	-	M	12N	-	B
	1		2	3		4

1. Product Series

Body

- SFQC2B
- SFQC3B
- SFQC4B
- SFQC5B

Plug

- SFQC2P
- SFQC3P
- SFQC4P
- SFQC5P

2. End Connection

- S = SUPERLOK Tube Fitting
- F = Female Thread
- M = Male Thread

3. End Connection Size

Tube O.D Designator

Tube O.D (inch)	1/4	3/8	1/2	3/4	1
Designator	4	6	8	12	4
Tube O.D (mm)	6	10	12	20	25
Designator	6M	10M	12M	20M	25M

Pipe Thread Designator

Size (inch)	1/4	3/8	1/2	3/4	1
Screwed BSPT	4R	6R	8R	12R	16R
Screwed NPT	4N	6N	8N	12N	16N
Screwed BSPP	4G	6G	8G	12G	16G

4. Body Material

- (Blank) = 316 Stainless Steel
- B = Brass

※ For special sizes and configurations, please consult BMT (SUPERLOK) sales representative.

**KENMORE
CONTROLS**
FLUID CONTROL PRODUCTS

 **BMT**



Kenmore Controls
8 Industrial Way, Suite 5D
Salem, NH 03079

Phone: 603-458-1541

E-mail: sales@kenmorecontrols.com



www.kenmorecontrols.com