

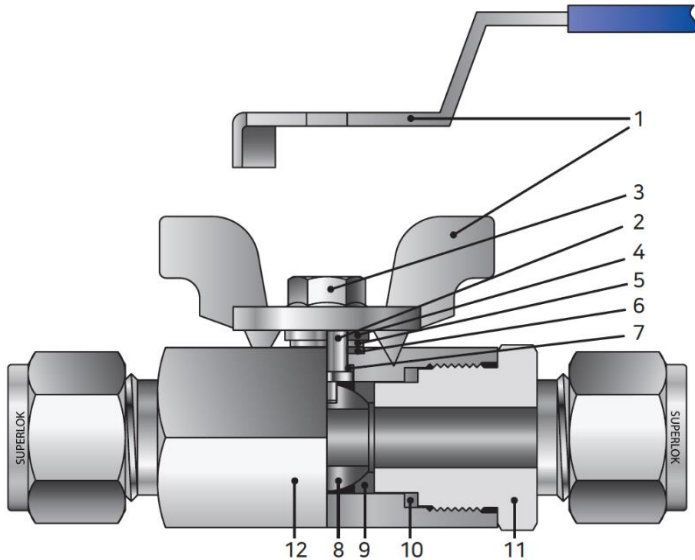
## BRASS 210 SERIES BALL VALVES

~ Ideal for a wide variety of uses ~



- Reliable leak-free operation up to 1,000 psi
- Suitable for oxygen & medical gas applications
- For use with ½" copper tubing (5/8" OD)
- Installs in seconds with no brazing or flux
- Lever handle, compact butterfly handle optional
- In stock with optional ASTM G93 oxygen cleaning

### Materials of Construction



1	Handle	304 SS (ASTM A276)
2	Stem	316 SS (ASTM A276)
3	Lock Nut	PTFE
4	Upper Stem Washer	316 SS (ASTM A276)
5	Lower Stem Washer	316 SS (ASTM A276)
6	Upper Stem Seal	PTFE
7	Lower Stem Seal	PTFE
8	Ball	316 SS (ASTM A276)
9	Seats	PTFE
10	Body Seal	PTFE
11	Body Connector	Brass (ASTM B16)
12	Body	Brass (ASTM B16)

### Temp Rating

0 to 450°F	-17 to 150°C
------------	--------------

### Orifice

½" (Cv=12.5)	12.5 mm
--------------	---------

### Testing (Nitrogen)

1,000 psig	69 bar
------------	--------

### Ordering Info:

**SBV210 - S10 - BH - B**

210 Series Ball Valve

5/8" OD Tube Fittings

Bar Handle

Brass body material

\* Contact us at [sales@kenmorecontrols.com](mailto:sales@kenmorecontrols.com) or call 603-458-1541

